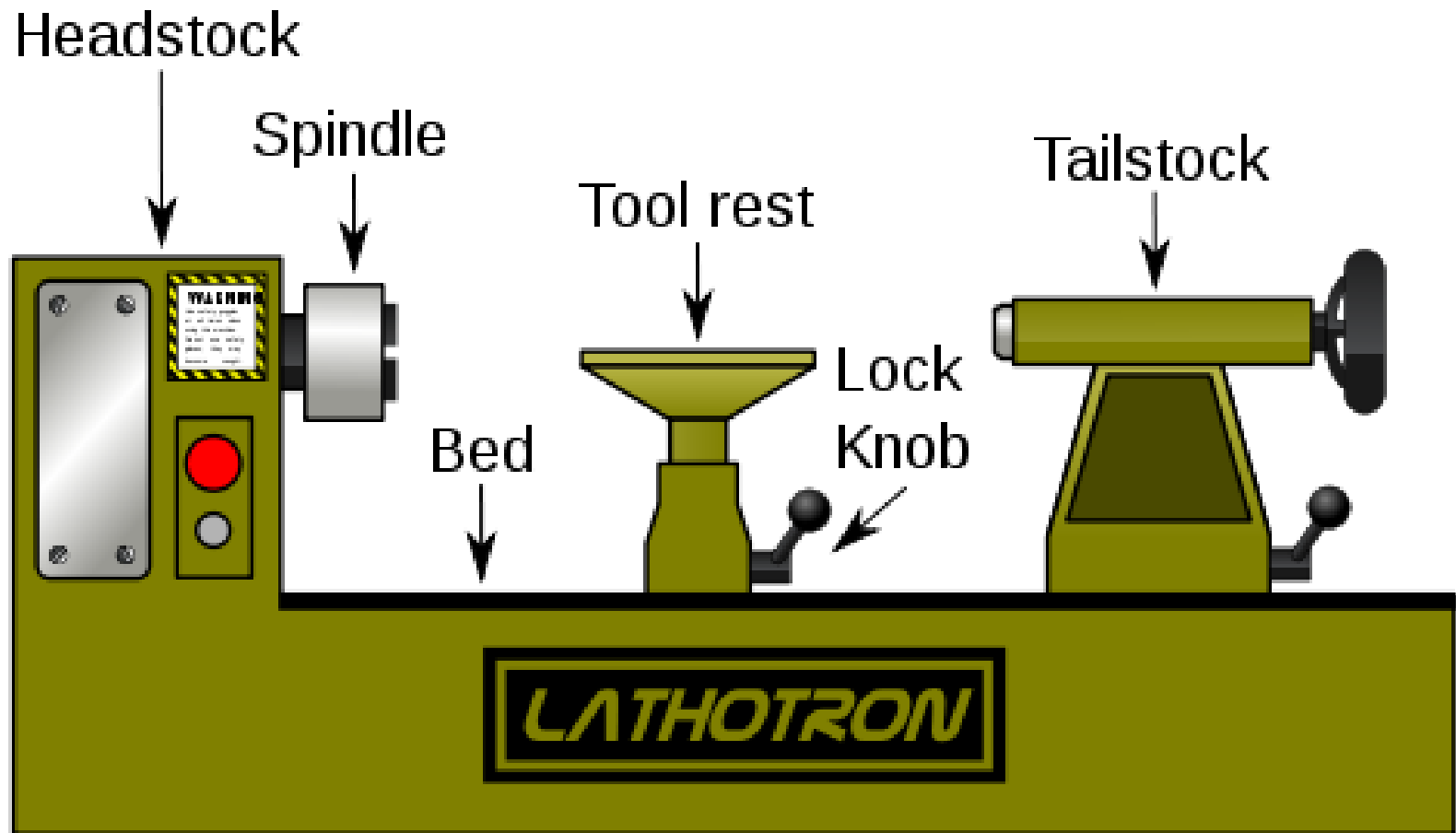


# Lathe Operations



# Parts of a Lathe



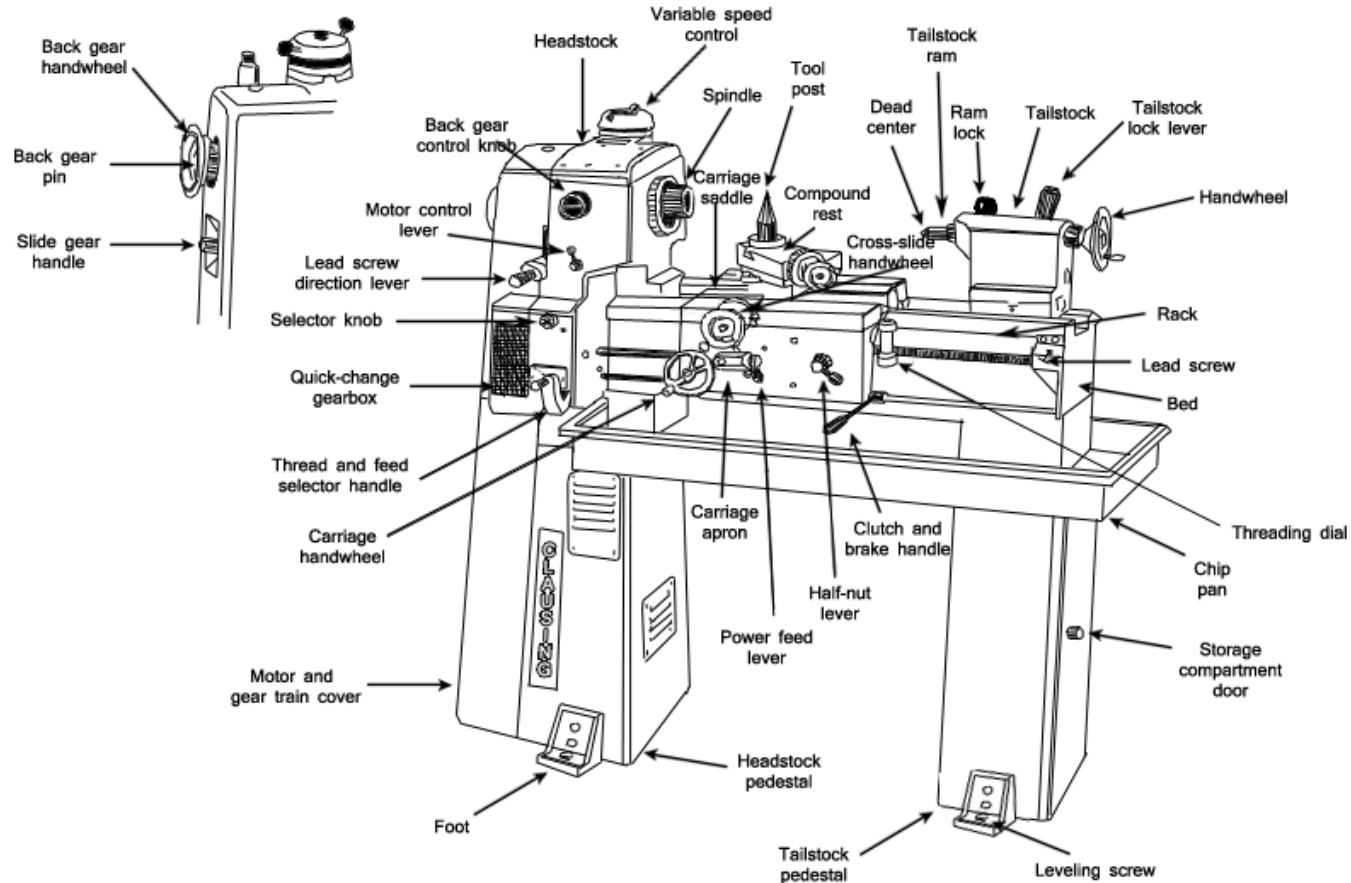
# Modern Woodworking Lathe



# Metalworking Lathe



# Metalworking Lathe Part Identification



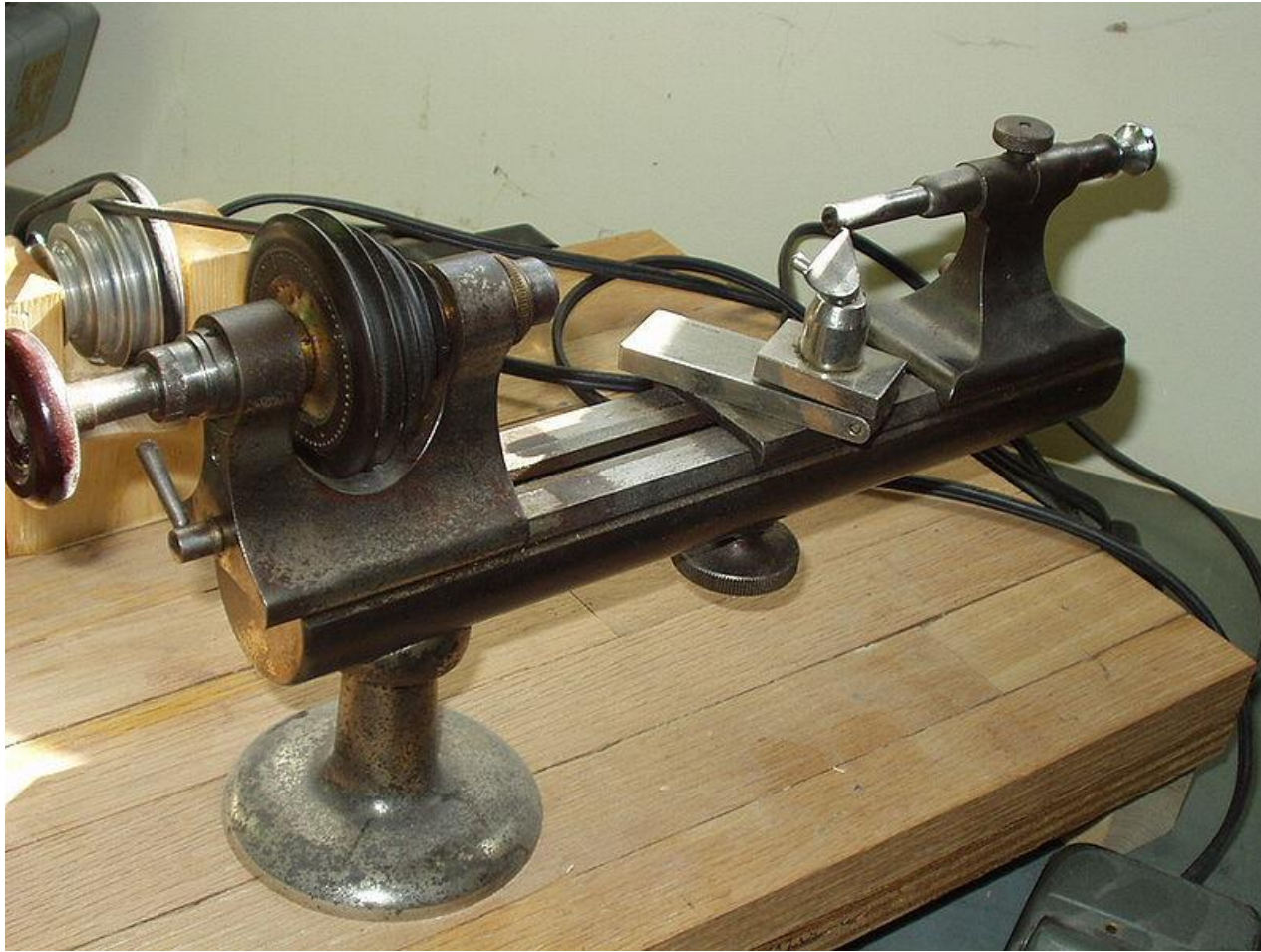
# Small Metalworking Lathe



# Large, Old Lathe



# Watchmaker's Lathe





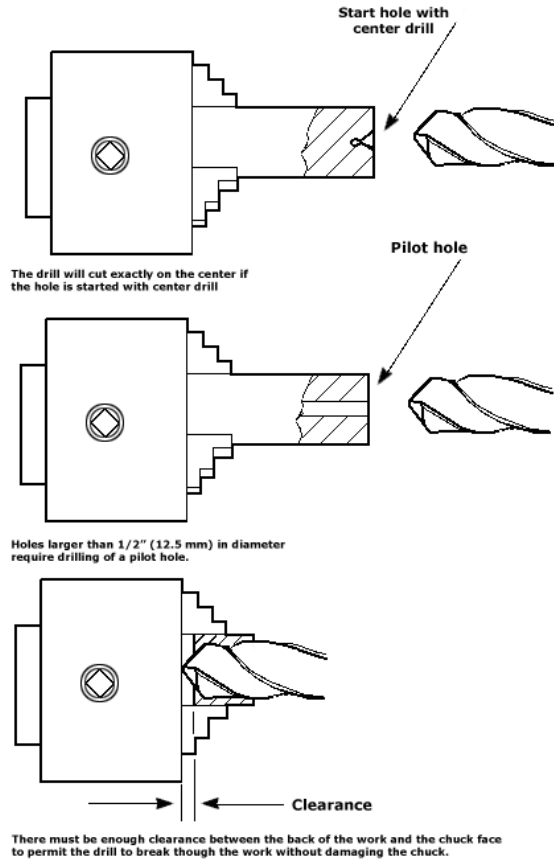
# Made with a Lathe

Turned Chess Pieces

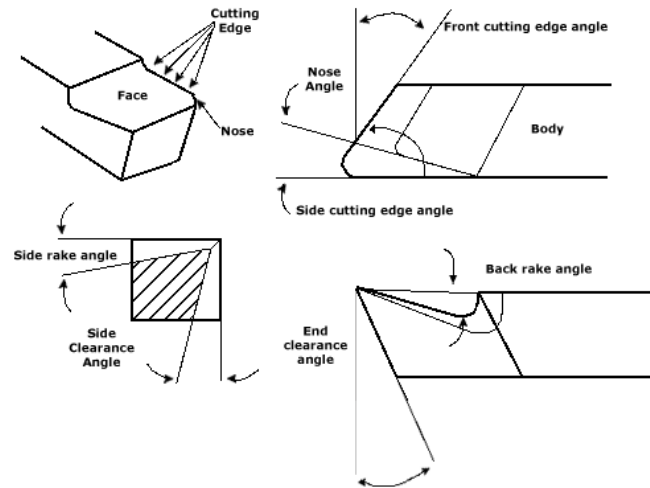


# Helpful diagrams for using Lathes

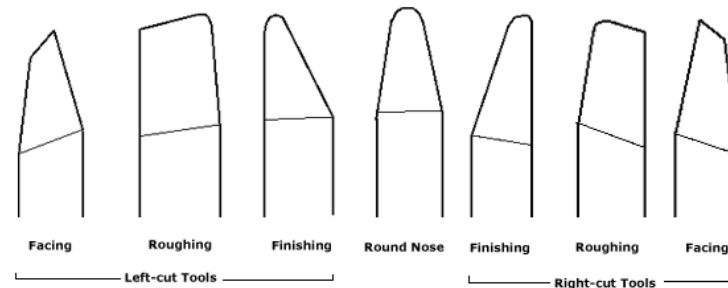
## Drilling on the Lathe



## High Speed Cutting Tools

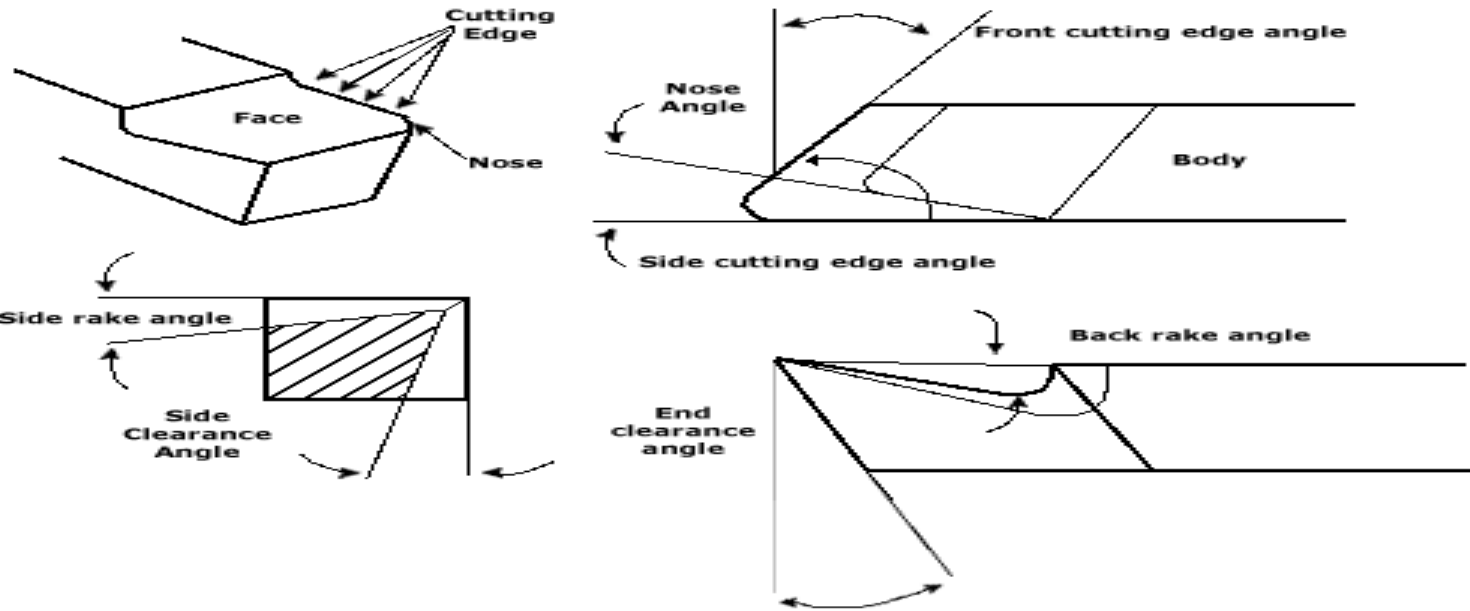


## Cutter Bit Nomenclature

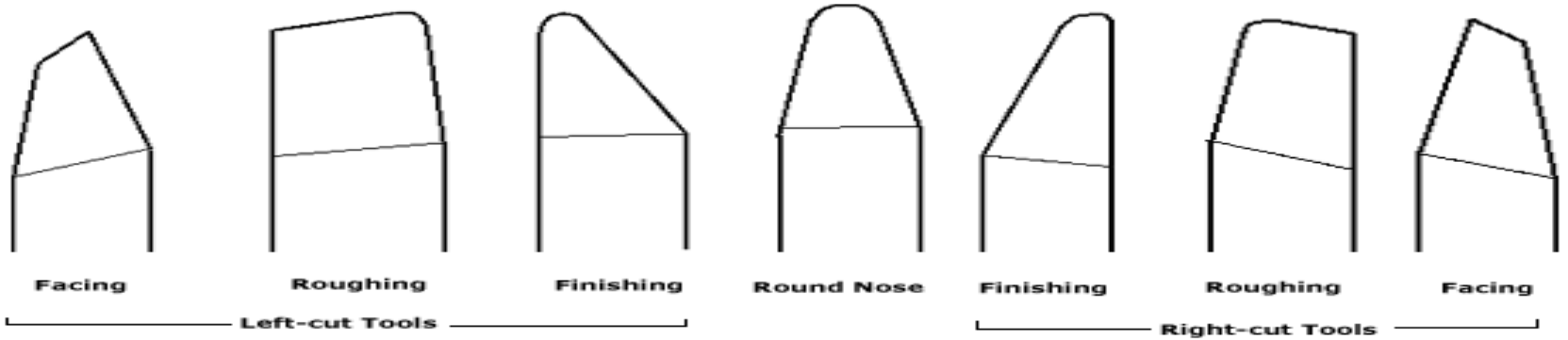


## Standard Cutting Tools Shapes

# High Speed Cutting Tools



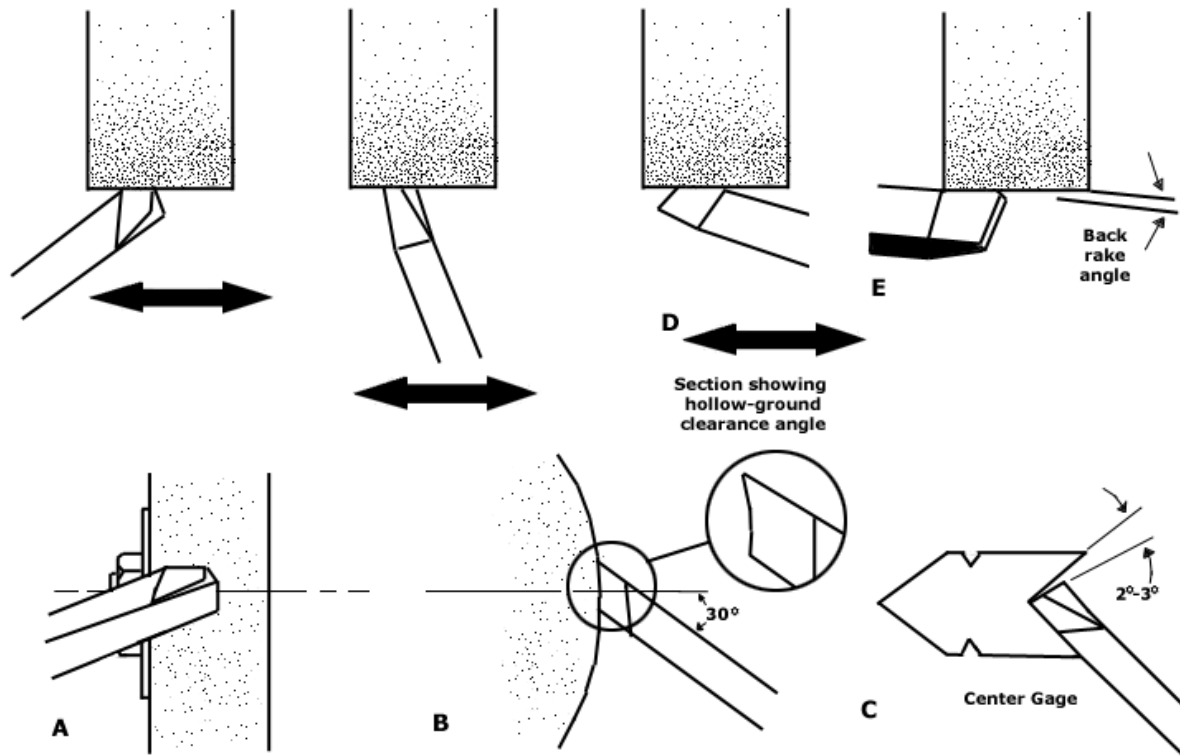
## Cutter Bit Nomenclature



## Standard Cutting Tools Shapes

# Another helpful diagram

## Sharpening HSS Cutter Bits



# And another helpful diagram

## Facing in a Chuck

