



Subject :Engineering Drawing / part ( 2)

Class: 1<sup>st</sup> Year  
Time :3 Hour

Examiner : Engineering Drawing Committee

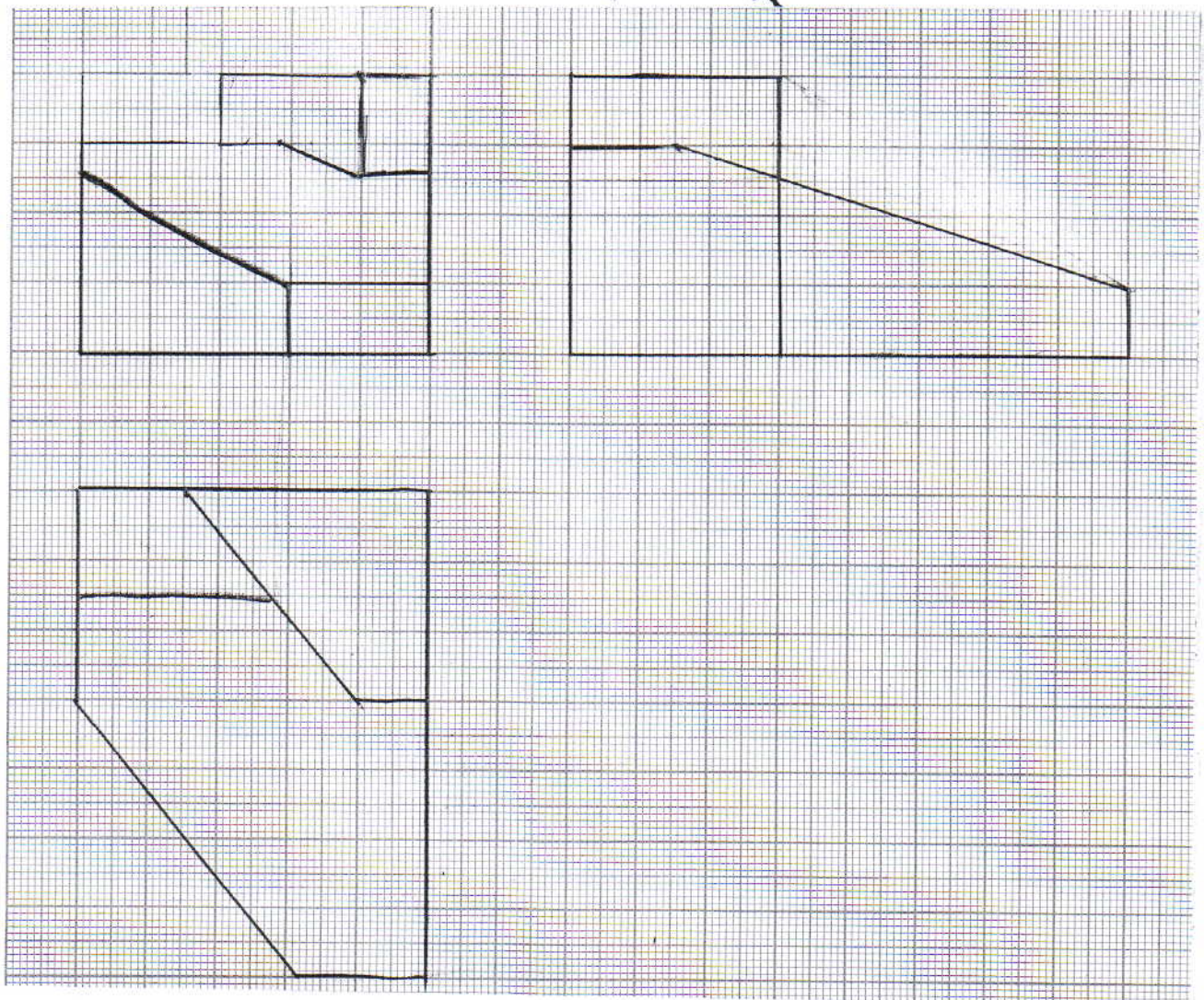
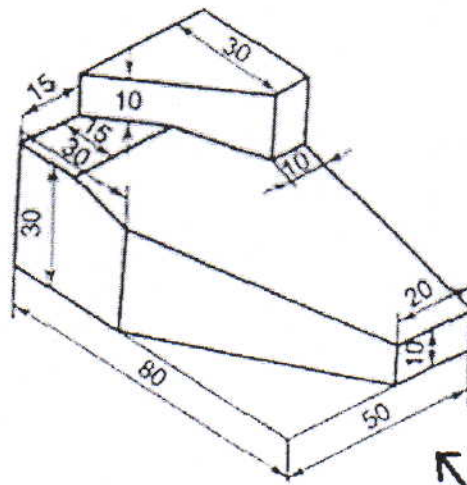
Date :29 /5/2016

Notes: All the drawing Scale 1:1 & All the drawing in (mm)

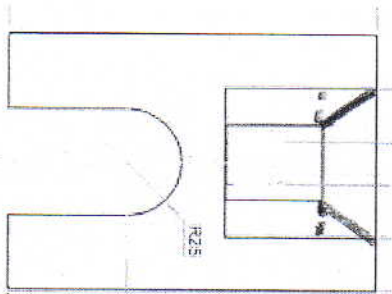
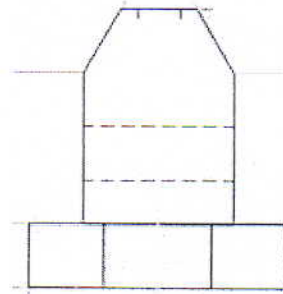
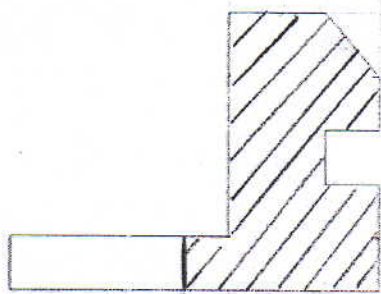
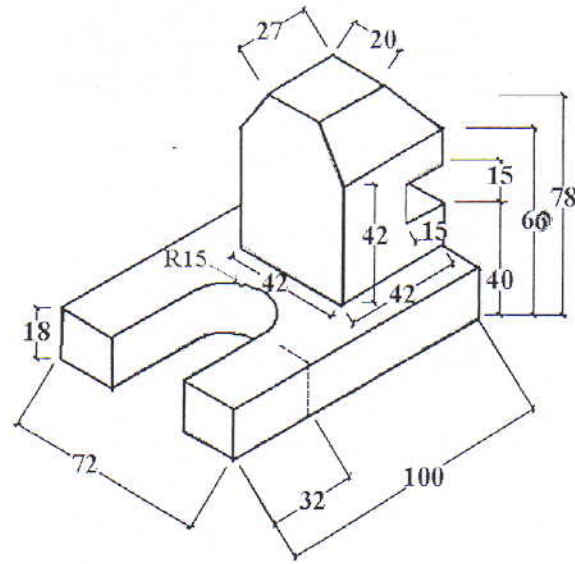
Answer (4) questions only:

Q1-Draw the three views (Front, Side and Top) of figure below.

الدرجة ( 25 )



Q2- Draw the front section, Side view and Top view of figure below. ( الدرجة 25 )





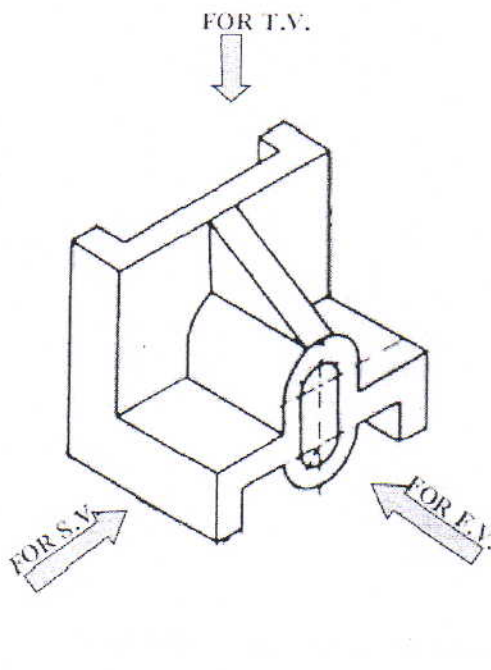
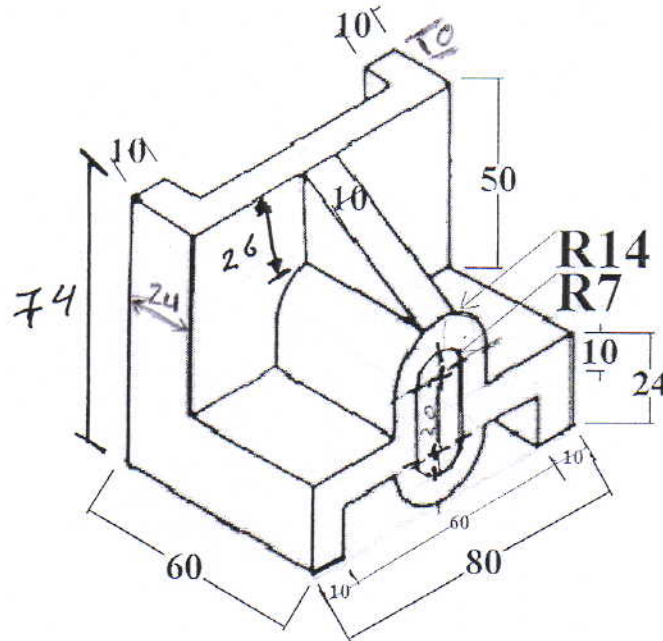
Subject :Engineering Drawing / part ( 2)

Class: 1<sup>st</sup> Year  
Time :3 Hour

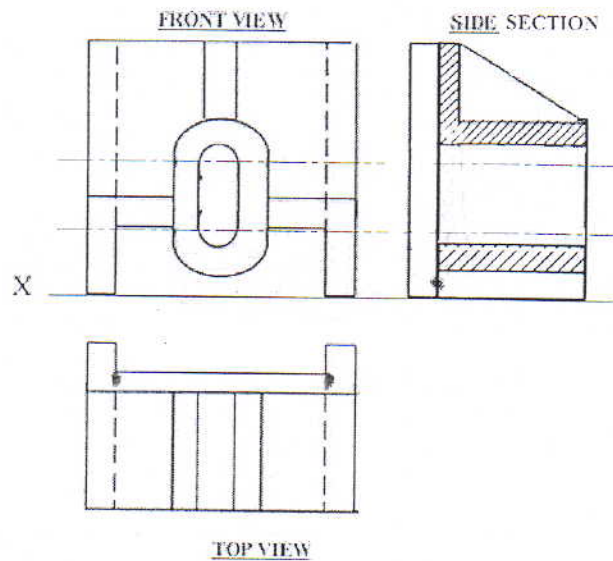
Examiner : Engineering Drawing Committee

Date :29 /5/2016

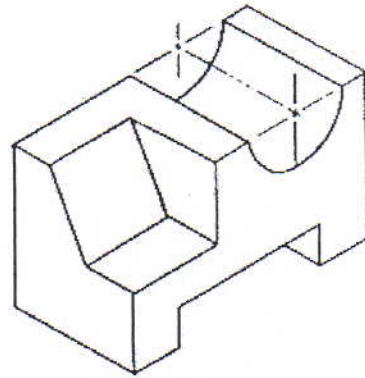
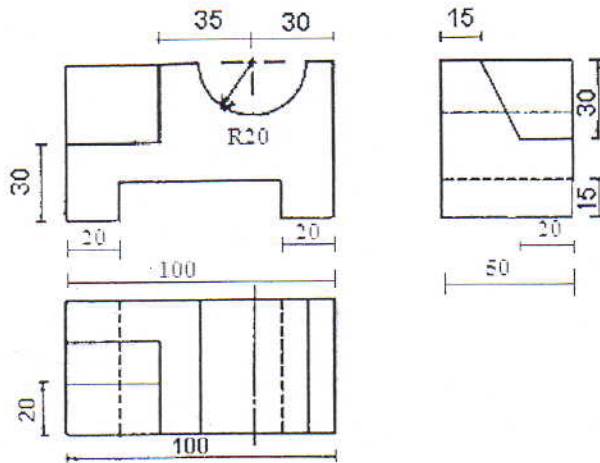
Q7- Draw the front view, Side section and Top view of figure below. (25) الدرجة



ORTHOGRAPHIC PROJECTIONS



Q4 – Find Missing view, if you informed two views below: draw the Isometric, draw three views (Front, Side and Top).  
 الدرجة (25)



Q5 – Find Missing view, if you informed two views below: draw the Isometric, draw three views (Front, Side and Top).  
 الدرجة (25)

