



University Of Technology
Building and Construction Eng. Dept.
Mid Exam –2013/2014

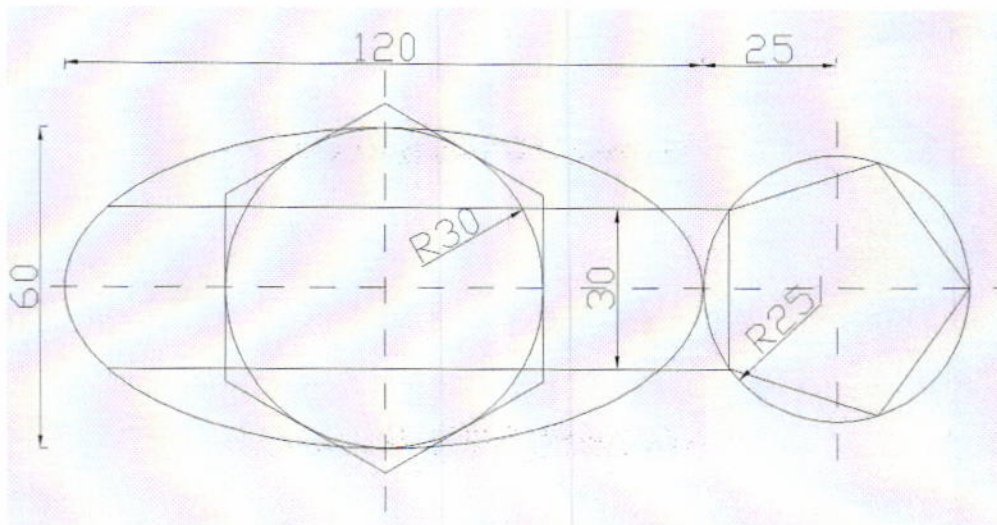


Branch: All Branches
subject : Drawing Eng.

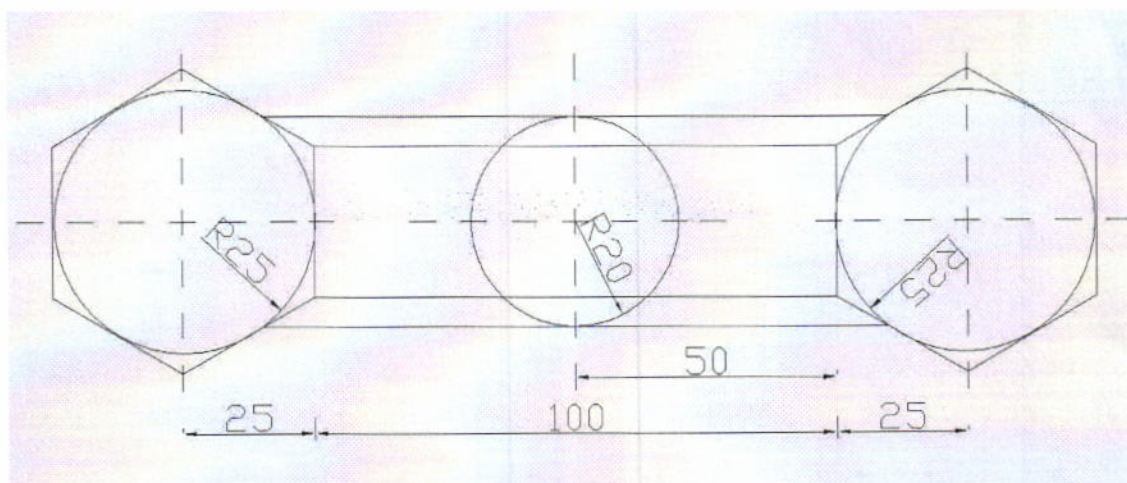
Class: 1st Year
Time : 1.5 Hour
Date : 29-1-2014

Examiner : Drawing Eng. Committee

Q1- Draw The Following Figure. 75%



Q2- . Draw The Following Figure. 25%





University Of Technology
Building and Construction Eng. Dept.
Mid Exam –2013/2014

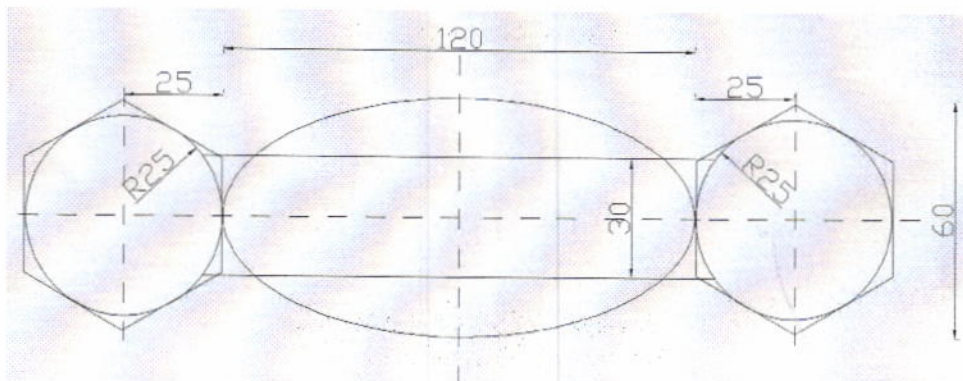
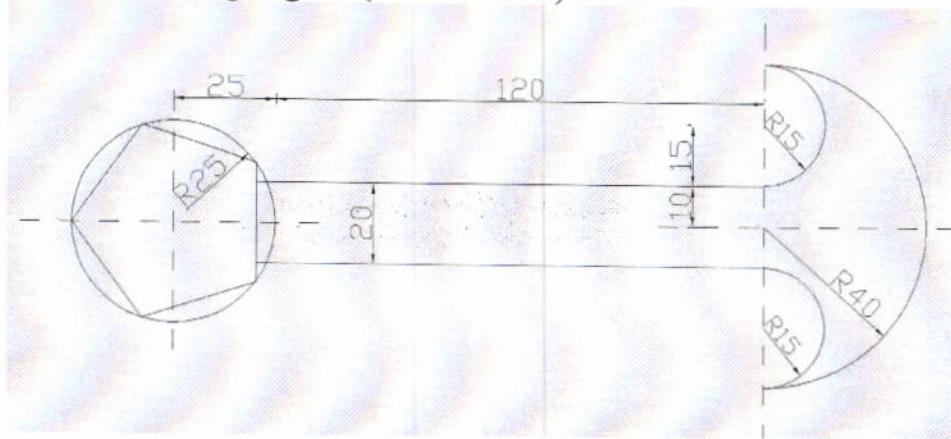


Branch: All Branches
subject : Drawing Eng.

Class: 1st Year
Time : 1.5 Hour
Date : 14-1-2014

Examiner : Drawing Eng. Committee

Q1- Draw The Following Figure.(Choose One) 70%



Q2- . Draw The Following Figure.(Choose One) 30%

